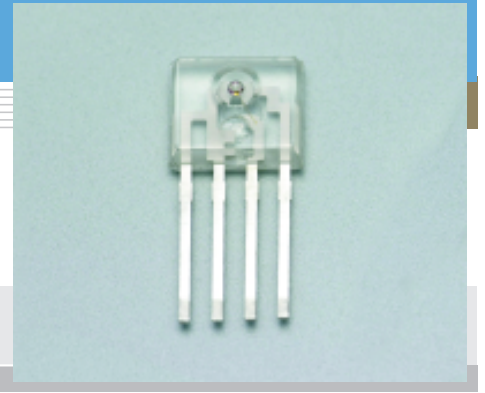


Red LED for optical link

L8045

Emitter for 50 Mbps optical link



L8045 is optical communication devices designed for POF (Plastic Optical Fiber) data links. L8045 is a highly reliable, high-power LED that emits red light with a peak at 650 nm optimized for POF. A mini-lens is molded on the package for efficient coupling to a POF. When used with our recommended driver circuit, a 50 Mbps transmitter can be configured at low cost.

Features

- Peak wavelength: 650 nm
- High reliability
- High output
- Designed to be used with S8046 or S7141-10

Applications

- High-speed data transmission even under poor environmental conditions with high noise

■ Absolute maximum ratings (Ta=25 °C)

Parameter	Symbol	Value	Unit
Forward current	IF	40	mA
Reverse voltage	VR	5	V
Power dissipation *1	Pmax	250	mW
Operating temperature	Topr	-40 to +85	°C
Storage temperature	Tstg	-40 to +85	°C
Soldering	-	230 °C, 5 s, at least 1.8 mm away from package surface	-

*1: Derate power dissipation at a rate of -1.75 mW/°C above Ta=25 °C

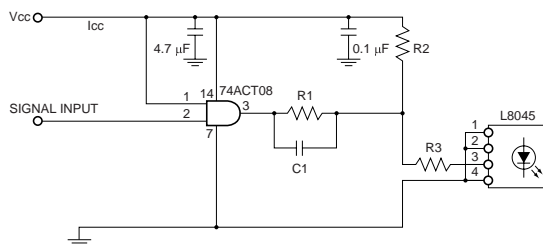
■ Electrical and optical characteristics (Ta=25 °C)

Parameter	Symbol	Condition	Min.	Typ.	Max.	Unit
Data rate	fD	NRZ	DC	-	50	Mbps
Forward voltage	VF	IF=20 mA	-	1.9	2.3	V
Reverse current	IR	VR=5 V	-	-	10	μA
Peak wavelength	λp	IF=20 mA	-	650	-	nm
Spectral half width (FWHM)	Δλ	IF=20 mA	-	20	-	nm
Fiber-coupled optical output	Po	*2	-13	-	-8	dBm
Rise time at pulse drive	tr	*2 20 to 80 %	-	-	8	ns
Fall time at pulse drive	tf	*2 80 to 20 %	-	-	8	ns
Pulse distortion	ΔT	*2	-3	-	+1	ns
Jitter	Δtj	*2	-	-	3	ns

*2: Input is a pseudo-random bi-phase signal at 50 Mbps.

Average value (duty ratio 50 %) measured by using a plastic fiber of φ1 mm. SI-POF and NA=0.5 (GH4001 made by Mitsubishi Rayon).

Measured with the recommended driver circuit shown below. (Measurement conditions: Vcc=4.5 to 5.5 V, R1=750 Ω, R2=2.2 kΩ, R3=22 Ω, C1=35 pF)



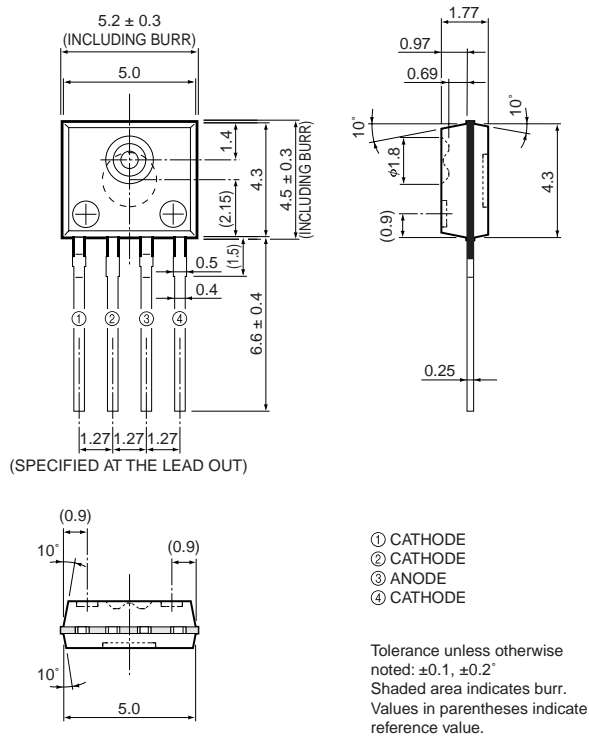
KLEDC0018EB

Note:

- A bypass capacitor (0.1 μF) and another capacitor (4.7 μF) are connected between Vcc and GND at a position within 3 mm from the lead.
- The center of the optical fiber is aligned with the center of the lens on the package. The distance between the fiber end and the lens is 0.1 mm.

SOLID STATE DIVISION

■ Dimensional outline (unit: mm)



KLEDA0086EA

HAMAMATSU

Information furnished by HAMAMATSU is believed to be reliable. However, no responsibility is assumed for possible inaccuracies or omissions. Specifications are subject to change without notice. No patent rights are granted to any of the circuits described herein. ©2007 Hamamatsu Photonics K.K.

HAMAMATSU PHOTONICS K.K., Solid State Division

1126-1 Ichino-cho, Higashi-ku, Hamamatsu City, 435-8558 Japan, Telephone: (81) 053-434-3311, Fax: (81) 053-434-5184, www.hamamatsu.com

U.S.A.: Hamamatsu Corporation: 360 Foothill Road, P.O.Box 6910, Bridgewater, N.J. 08807-0910, U.S.A., Telephone: (1) 908-231-0960, Fax: (1) 908-231-1218

Germany: Hamamatsu Photonics Deutschland GmbH: Arzbergerstr. 10, D-82211 Herrsching am Ammersee, Germany, Telephone: (49) 08152-3750, Fax: (49) 08152-2658

France: Hamamatsu Photonics France S.A.R.L.: 19, Rue du Saule Trapu, Parc du Moulin de Massy, 91882 Massy Cedex, France, Telephone: 33-(1) 69 53 71 00, Fax: 33-(1) 69 53 71 10

United Kingdom: Hamamatsu Photonics UK Limited: 2 Howard Court, 10 Tewin Road, Welwyn Garden City, Hertfordshire AL7 1BW, United Kingdom, Telephone: (44) 1707-294888, Fax: (44) 1707-325777

North Europe: Hamamatsu Photonics Norden AB: Smidesvägen 12, SE-171 41 Solna, Sweden, Telephone: (46) 8-509-031-00, Fax: (46) 8-509-031-01

Italy: Hamamatsu Photonics Italia S.R.L.: Strada della Moia, 1/E, 20020 Arese, (Milano), Italy, Telephone: (39) 02-935-81-733, Fax: (39) 02-935-81-741